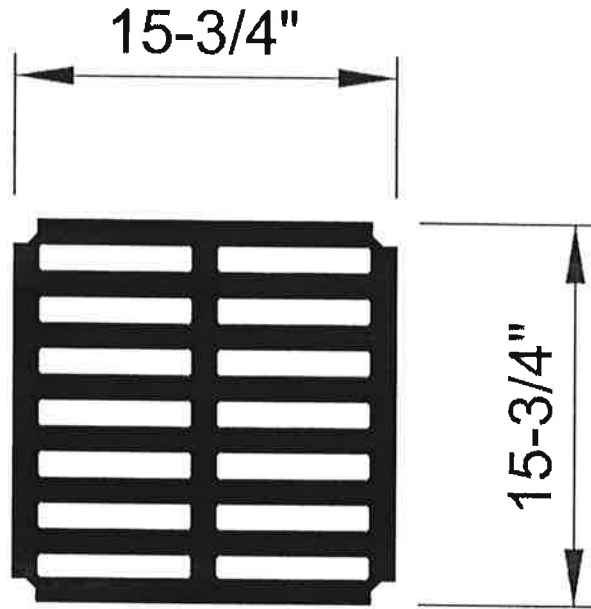


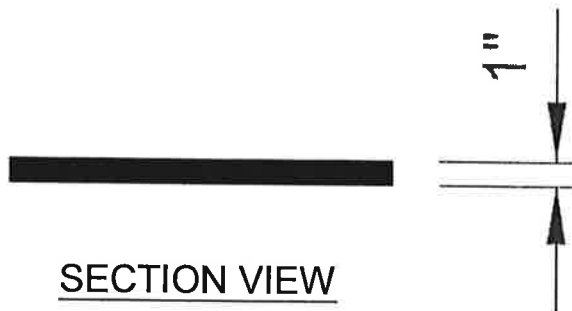
24" ROUND YARD INLET GRATE

SPECIFICATIONS:

-STEEL GRATES COATED WITH 1 COAT BITUMINOUS PAINT



PLAN VIEW



SECTION VIEW

9/2014

NTS



SALES OFFICE: 210 DURHAM ROAD, OTTSVILLE PA 18942
(INSIDE THE M & W SUPPLY BUILDING)

PHONE: 610-847-7203 / FAX: 610-847-1046

EMAIL: Choice.concrete@yahoo.com

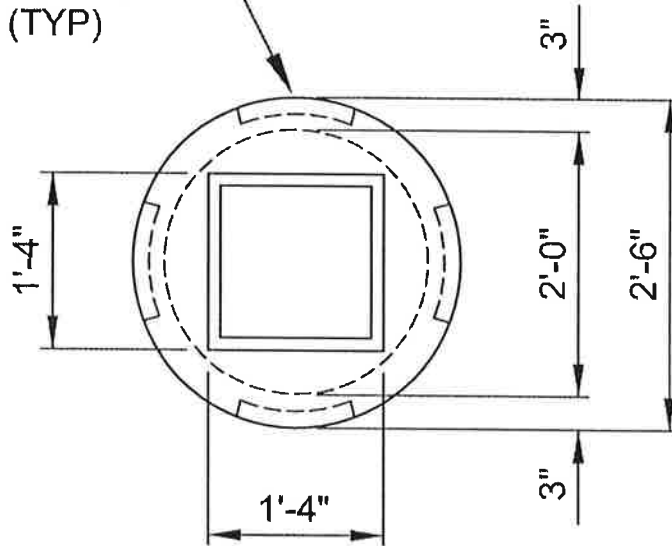
24" ROUND YARD INLET

SPECIFICATIONS:

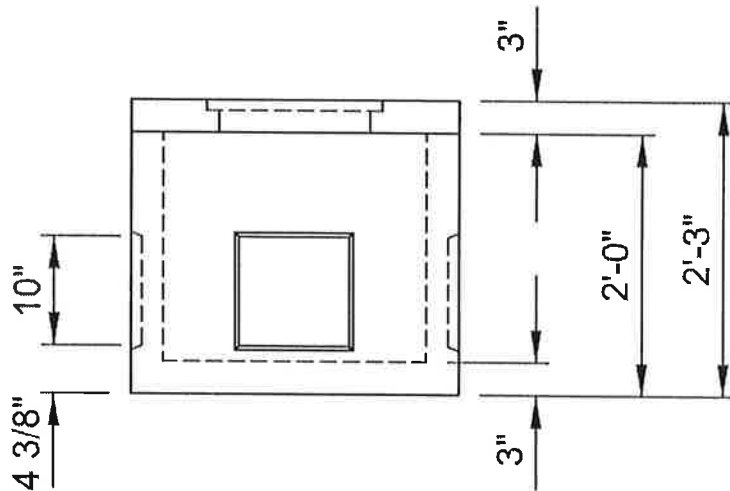
- CONCRETE STRENGTH: 4000 PSI MIN @ 28 DAYS
- STRUCTURE CONFORMS TO ASTM A615 & A185
- DESIGN: NON-TRAFFIC LOADING
- APPROXIMATE WEIGHT: .32 TONS



10" SQUARE
KNOCKOUT
(TYP)



PLAN VIEW



SECTION VIEW

9/2014

NTS



SALES OFFICE: 210 DURHAM ROAD, OTTSVILLE PA 18942
(INSIDE THE M & W SUPPLY BUILDING)

PHONE: 610-847-7203 / FAX: 610-847-1046

EMAIL: Choice.concrete@yahoo.com