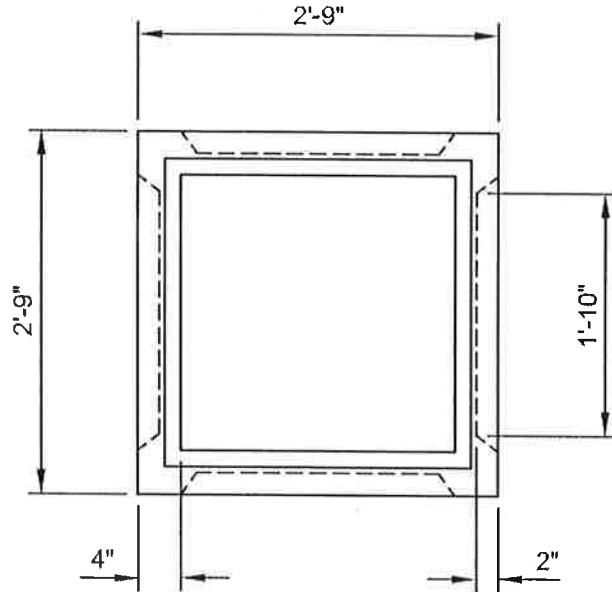


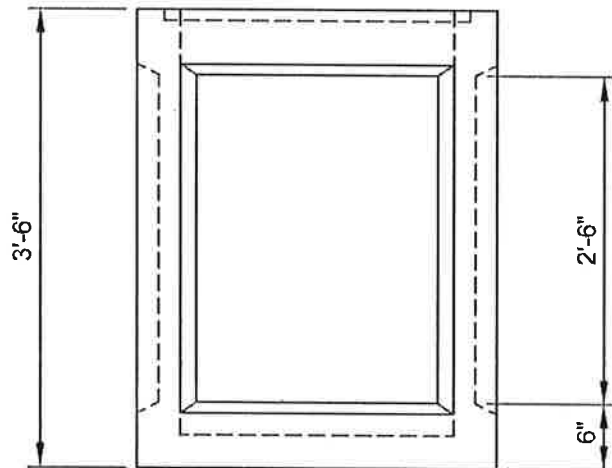
# 2' X 2' LAWN INLET

## SPECIFICATIONS:

- CONCRETE STRENGTH: 4000 PSI MIN @ 28 DAYS
- STRUCTURE CONFORMS TO ASTM A615 & A185
- DESIGN: NON-TRAFFIC LOADING
- APPROXIMATE WEIGHT: 1.00 TON



PLAN VIEW



SECTION VIEW



SALES OFFICE: 210 DURHAM ROAD, OTTSVILLE PA 18942  
(INSIDE THE M & W SUPPLY BUILDING)

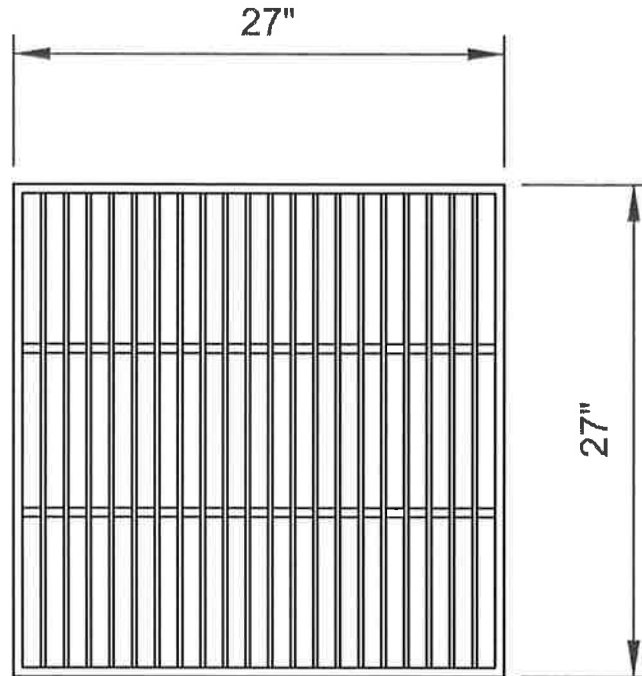
PHONE: 610-847-7203 / FAX: 610-847-1046

EMAIL: [Choice.concrete@yahoo.com](mailto:Choice.concrete@yahoo.com)

# 2' X 2' LAWN INLET GRATE

## SPECIFICATIONS:

-STEEL GRATES COATED WITH 1 COAT BITUMINOUS PAINT



PLAN VIEW



SECTION VIEW



SALES OFFICE: 210 DURHAM ROAD, OTTSVILLE PA 18942  
(INSIDE THE M & W SUPPLY BUILDING)

PHONE: 610-847-7203 / FAX: 610-847-1046

EMAIL: [Choice.concrete@yahoo.com](mailto:Choice.concrete@yahoo.com)